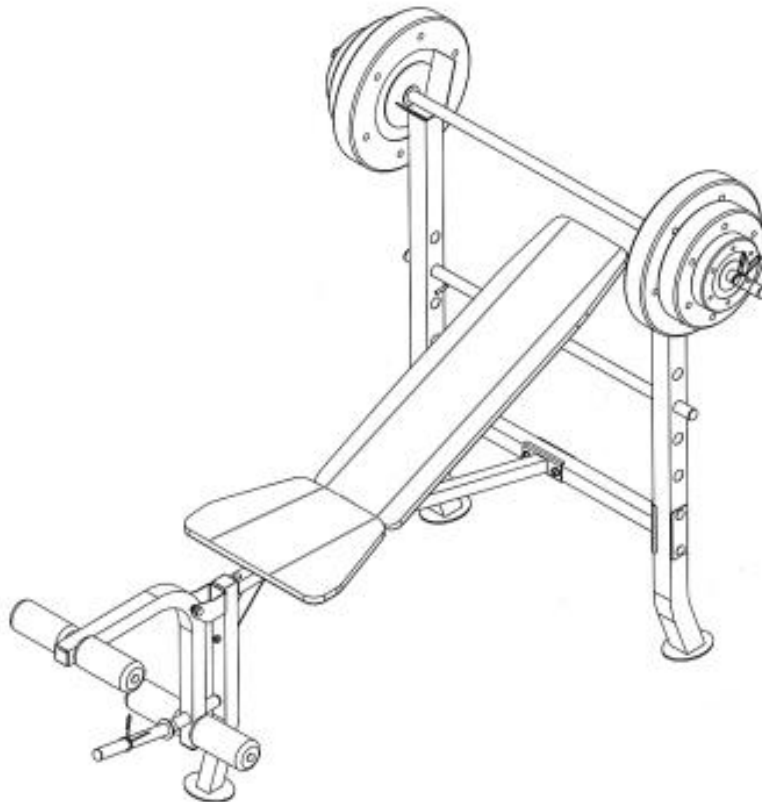


# COMPETITOR

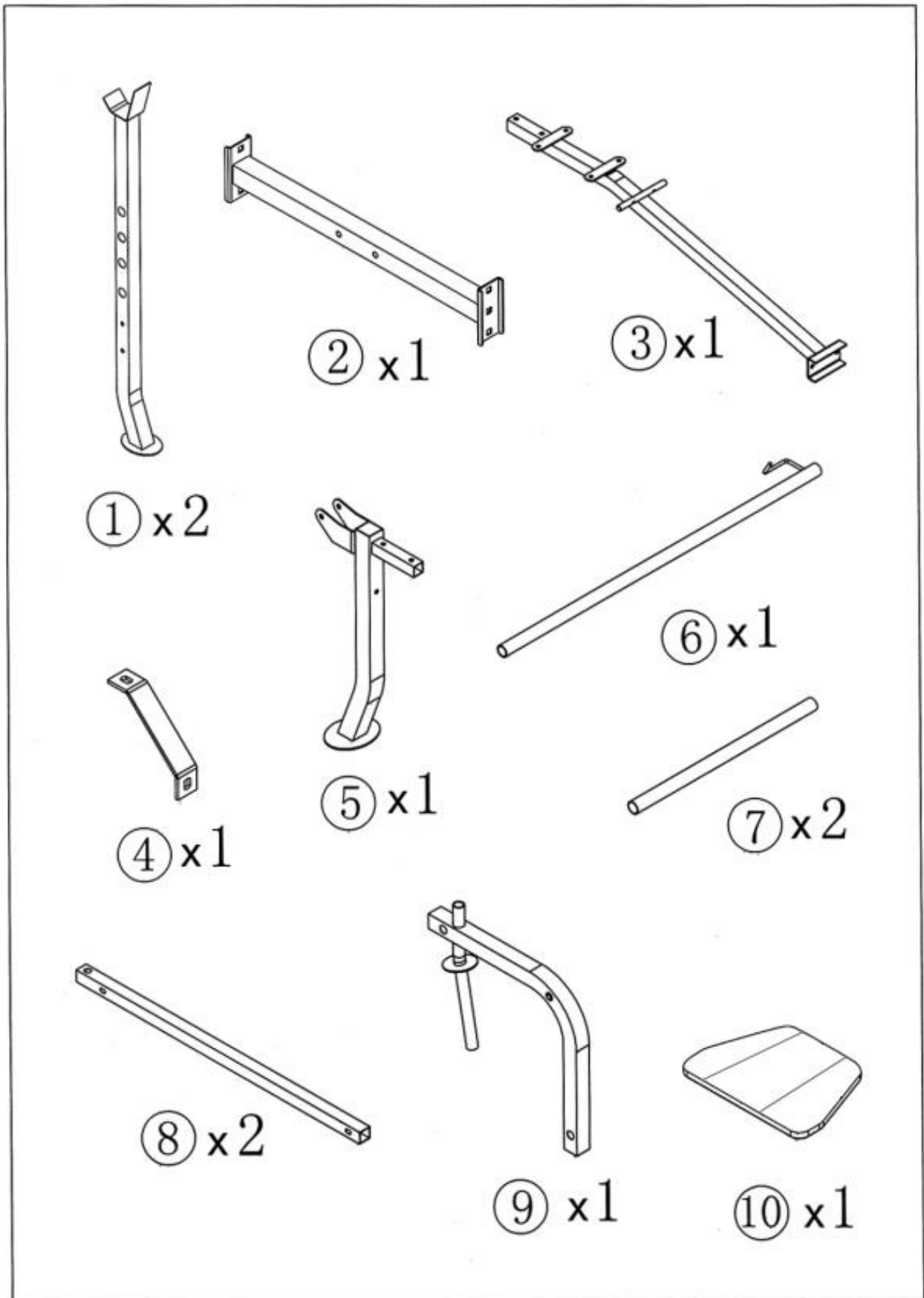
**COMPETITOR PRO  
WEIGHT BENCH  
With 100-lb set  
CB-5573**

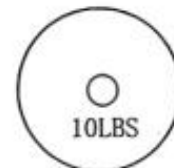
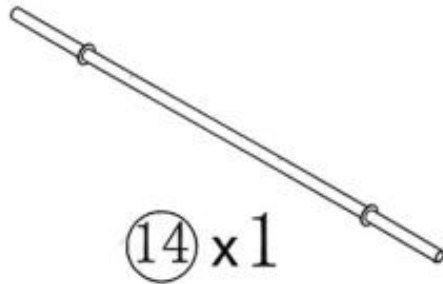
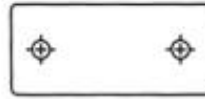
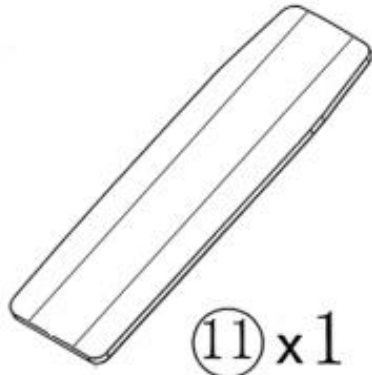


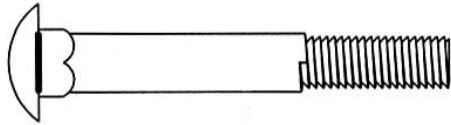
**IMPORTANT:** Please read the Important Safety Notice and Assembly Information in the Owner's manual before assembling this product.

**Assembly Manual**

180328



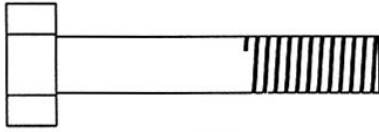




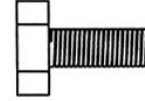
②④ x 4



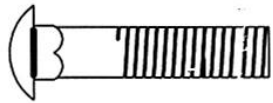
②⑨ x 4



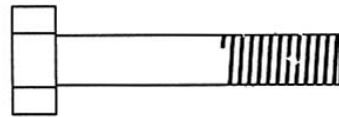
②⑤ x 2



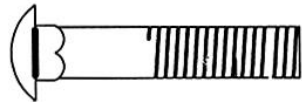
③⑦ x 4



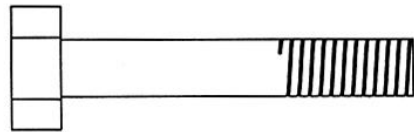
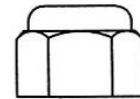
②⑥ x 1



③① x 1



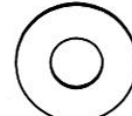
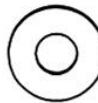
②⑦ x 1



③⑤ x 3

③⑥ x 7

②⑧ x 1

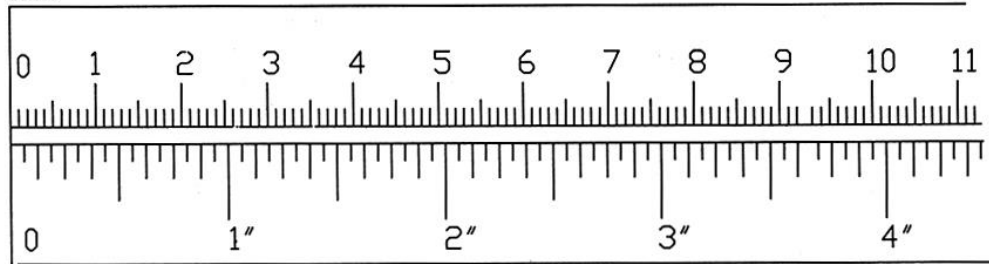


③② x 8

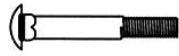
③③ x 3

③④ x 7

mm



②④ x 4



M10 x 2 5/8"

③⑥ x 4

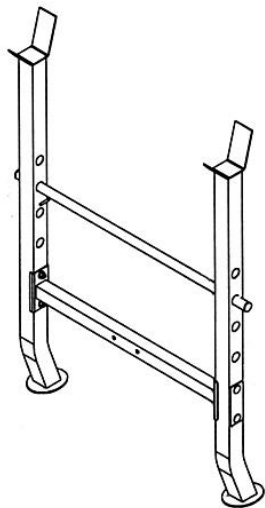
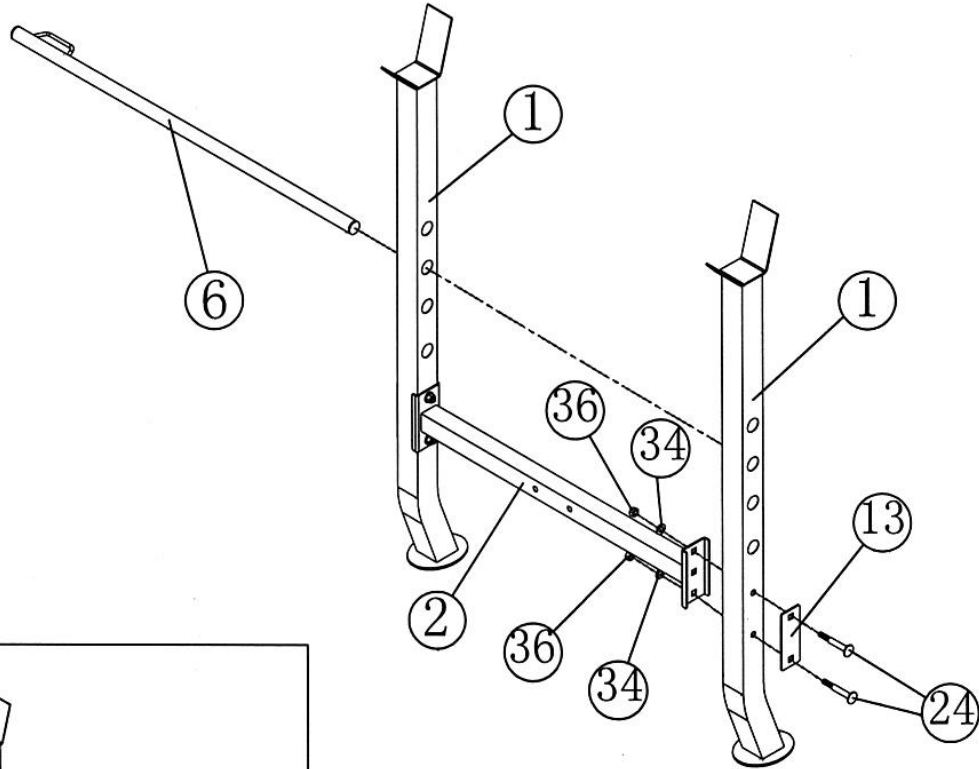
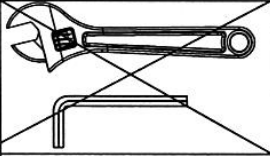


M10

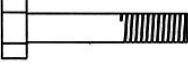


③④ x 4

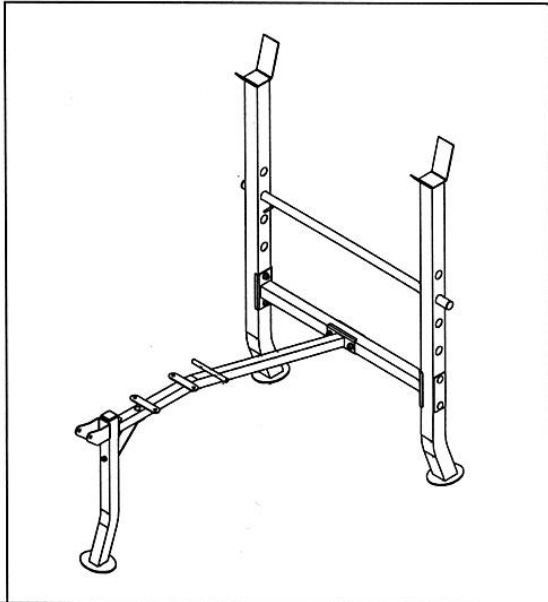
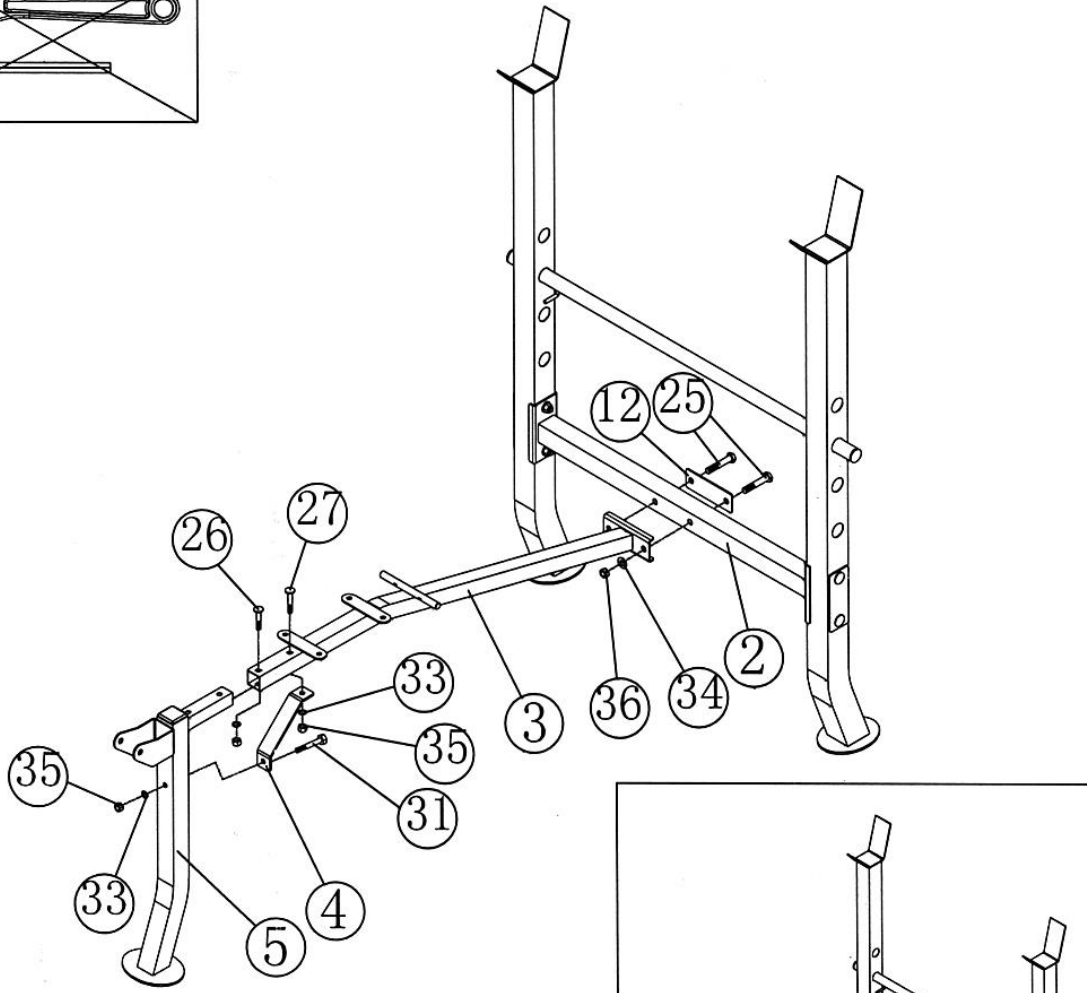
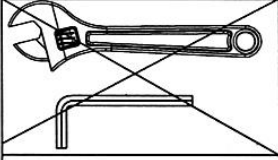


Ø 3/4"



1

②⑤	x 2		M10 x 2 1/8"	③③	x 3		∅ 5/8"
②⑥	x 1		M8 x 1 5/8"	③④	x 2		∅ 3/4"
②⑦	x 1		M8 x 1 3/4"	③⑤	x 3		M8
③①	x 1		M8 x 2 1/8"	③⑥	x 2		M10



**2**

②9 x 4



M6 x 1  $\frac{3}{8}$ "

③0 x 4

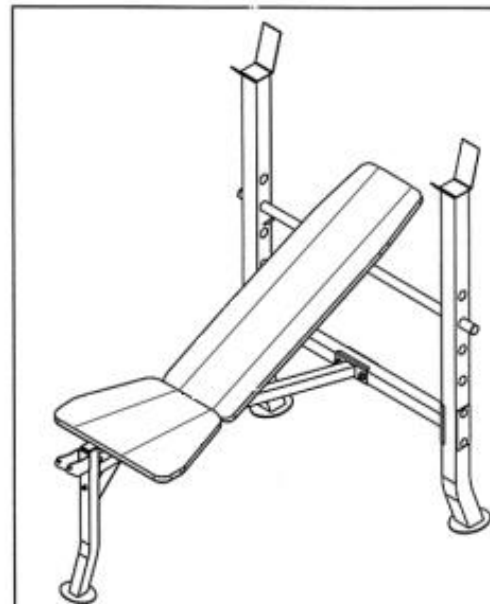
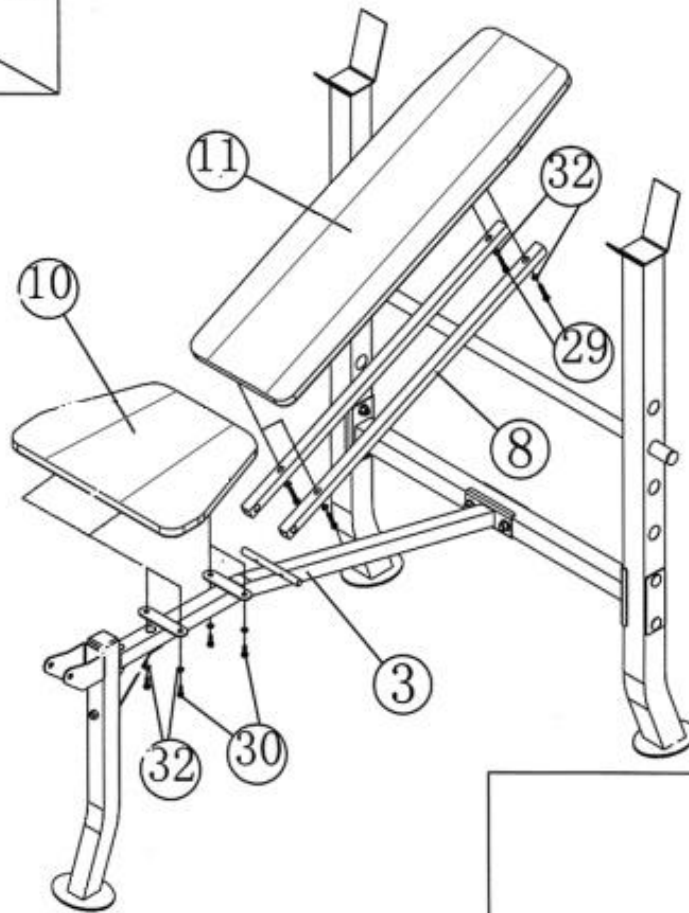
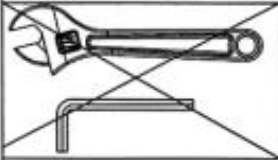


M6 x  $\frac{5}{8}$ "




③2 x 8

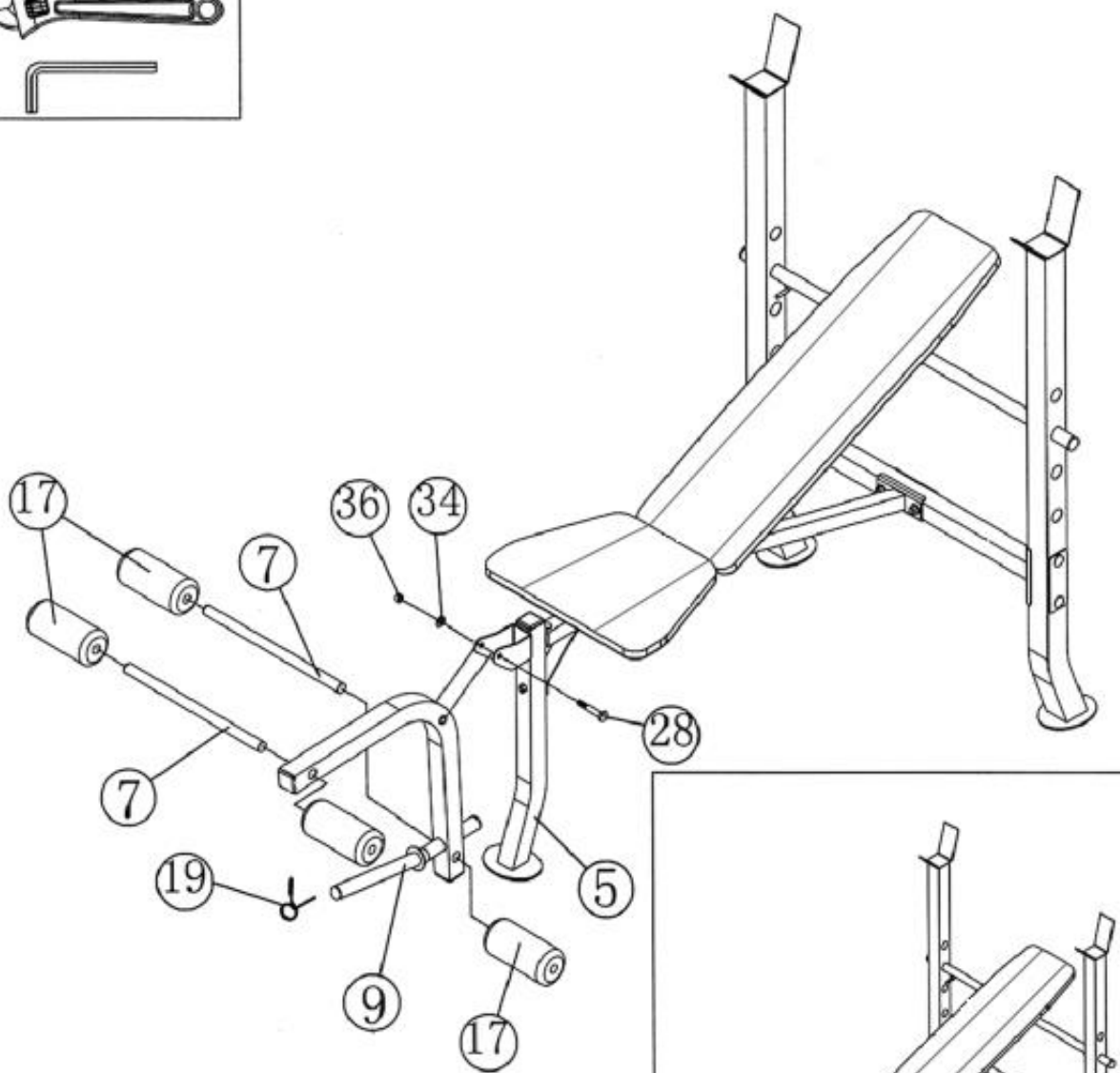
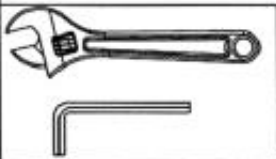


Ø  $\frac{1}{2}$ "



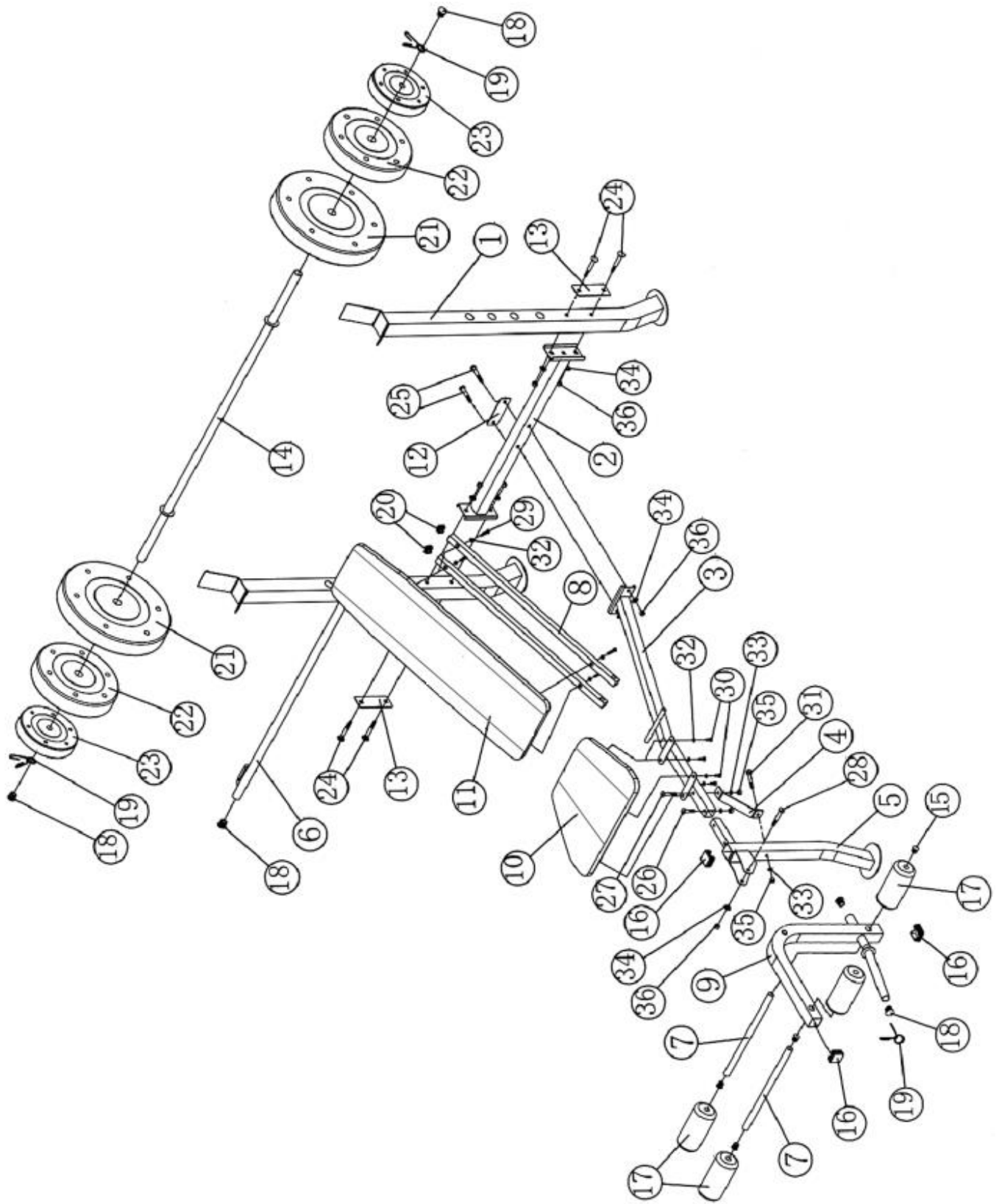
**3**

- ②⑧ x 1  M10 x 2  $\frac{3}{8}$ "
- ③④ x 1   $\varnothing \frac{3}{4}$ "
- ③⑥ x 1  M10



**4**





**IMPEX® INC.**

2801 South Towne Avenue, Pomona, California 91766

Tel: (800) 999-8899 Fax: (626) 961-9966

[www.marcypro.com](http://www.marcypro.com)

[support@impex-fitness.com](mailto:support@impex-fitness.com)